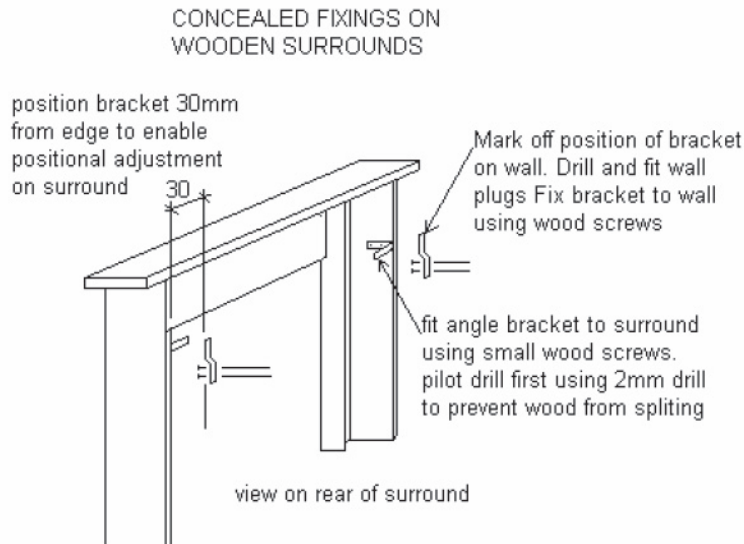


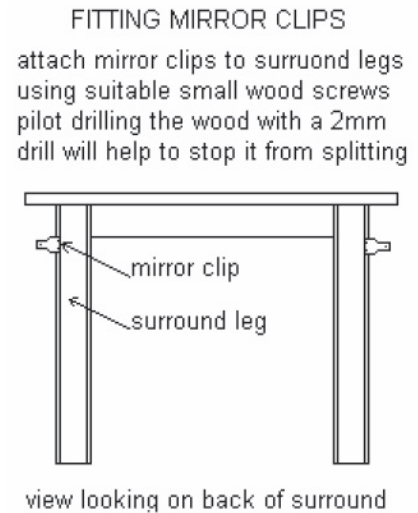


Fixing Methods of Various Surrounds

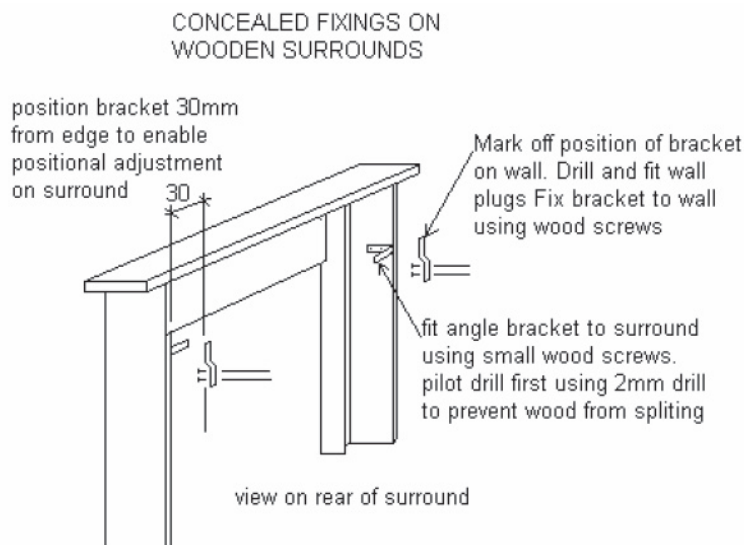
## Wooden Surrounds



## Wooden Surrounds



## Marble Surrounds



## Limestone Surrounds

