



Installation Guide for Gas Fireplaces

INSTALLATION OF MARBLE SURROUND

PLEASE NOTE

We do not recommend this as a DIY installation and strongly advise using the services of a qualified installer. It is a legal requirement that any installation of gas work or appliances is carried out by a CORGI registered installer.

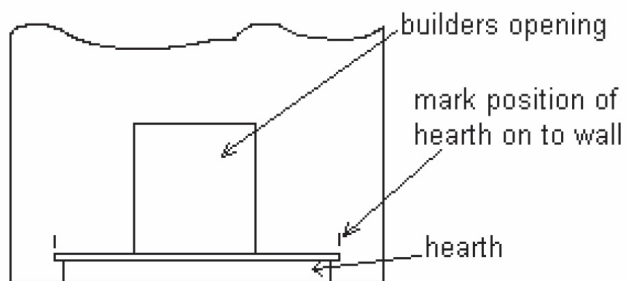
The information provided within this instruction sheet is only a suggestion which can assist the installer to fit the fireplace correctly. There are other equally suitable methods of installing a fireplace.

Step 1



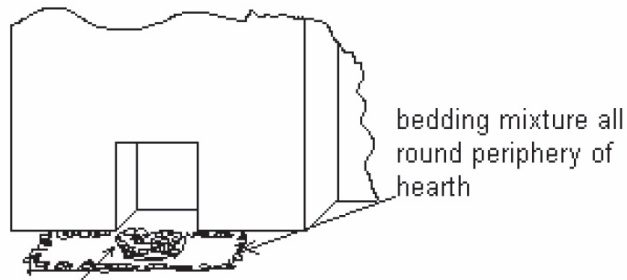
Check that the wall is straight and plumb, by using a spirit level as shown. If the wall is not plumb or is bowed, then the fireplace may not fit correctly.

Step 2



Mark off the position of the hearth on the wall and on the floor with a pencil, ensuring that it is located central to the opening and any chimney breast present.

Step 3



Large dollop of bedding mixture in the middle helps to absorb heat from the fire and also strengthens the hearth in case any one accidentally stands on the hearth

Prepare the bedding mixture, which can be sand and cement with an accelerator added to speed up hardening, or special hearth bedding mixture available ready mixed. Lay the bedding mixture on the floor to the guide marks, ensuring sufficient depth to ensure sufficient support of the hearth.

Place the hollow hearth on top of the bedding mixture and locate to the pencil marks. Tap the hearth down gently until it is level and raised off the floor approximately 5 to 10mm

Use spirit levels to check

Remove excess mixture from edge of hearth and smooth off.

Allow to set before proceeding further.

As an alternative, the bedding mixture can be laid so that it does not come to the edge of the hearth, but finishes approximately 12 to 20mm inside. When the hearth is bedded on to this, carpet can be tucked under the hearth to give a neat finish. This is subject to the hearth being raised off the floor to a suitable height.

The full weight of the hearth must be supported by the bedding material.



CHECK POSITION IS CORRECT BY USING A TAPE MEASURE AND ALSO STILL LEVEL, BEFORE THE BEDDING MIXTURE HARDENS.

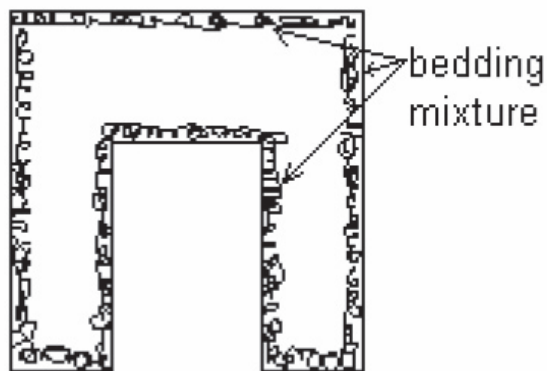
BUILD UP THE LEVEL IN THE BUILDERS OPENING TO BE FLUSH AND PARALLEL TO THE HEARTH, WHICH CAN BE THE SAME MIXTURE AS USED FOR BEDDING THE HEARTH OR A SOFTER MIXTURE.

ALLOW THE MIXTURE TO SET BEFORE PROCEEDING FURTHER WITH THE INSTALLATION TO ENSURE THE HEARTH DOES NOT ACCIDENTALLY REPOSITION ITSELF

Step 4

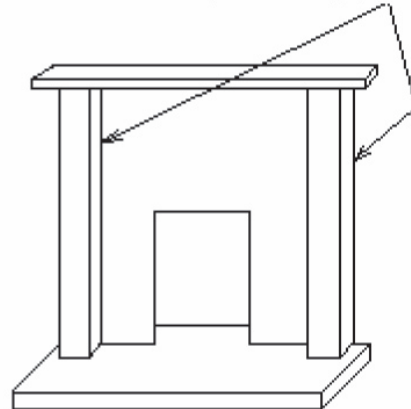
NOTE: The back panel must be sealed to the wall such that no air can enter the flue, or products of combustion escape from either the edges, or from behind the back panel.

view on rear of back panel



Packing out with non-combustible material to ensure fit against legs of surround. Liberally coat the rear of the back panel with bedding mixture or tile adhesive and stick to wall centrally about the builders opening.

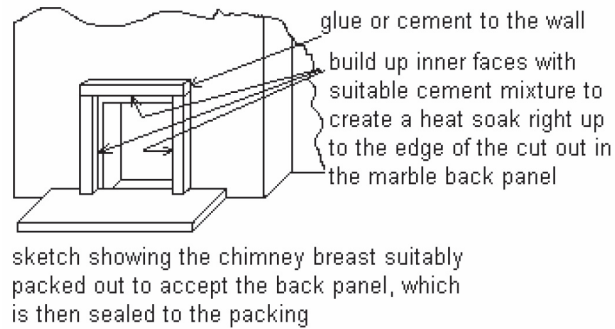
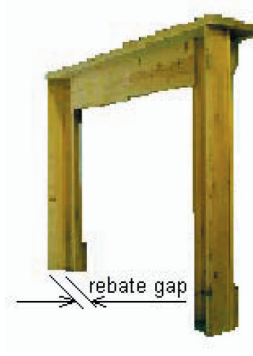
possible gaps



Check front to rear location of back panel by placing surround in position end checking for gaps as shown above

NOTE: If there is a large rebate gap on the surround, or the rebate strip has been removed to allow a deeper fire to be installed, then the gap between the wall and the back panel must be suitably packed out to fill this gap and then the back panel is sealed on to the packing.

Step 4 Continued



Note: if there are removable rebate strips screwed to the surround, These can be to create a larger rebate gap when required.

Step 5

Dependant on the type of fixing brackets supplied with the surround, fasten the fixing brackets on to the surround and on to the wall as described on the separate information sheet.

Note: not all surrounds are supplied with fixing brackets and these may have to be purchased elsewhere. The surround may now be fastened on to the wall and the installation is now complete.