

ESSE

The Gas Stove Collection



ESSE

The Gas Stove Collection

Here at ESSE, we've been building great stoves since 1854. ESSEs are hand crafted in Lancashire and exported worldwide.

Over the years, our stoves have found themselves 'at home', in homes on every continent.

ESSE stoves have endured Antarctic expeditions, been relied upon in Florence Nightingale's Balaclava hospital and, today, provide the heating heart of dwellings on the Dumfries House Estate and at River Cottage HQ.

As you'd expect from ESSE, our gas stoves are efficient, clean and controllable. These were the founding principles of James Smith when he made his first ESSE in 1854, and still drive us forward today.

Calling on over a century and a half of stove-building experience, our designers have created the ideal gas stove collection for the modern British living room. We even offer a number of flueless gas stoves for those homes without a working chimney. With a realistic flame pattern and fuel effect, the gas collection reflects the look - as well as the craftsmanship and quality - of our wood-burning stoves.

Our wide range of styles means there's an ESSE gas stove to suit every home. We even have the iconic Ironheart, which cooks to perfection!



From Antarctica to your living room - Shackleton famously used ESSE stoves in the frozen wastes of the Antarctic. You can rely on the same famous warmth in your home.

CONTENTS

6	G500 Vista
8	G500 Traditional
10	G525 Contemporary
12	FG500
14	FG525
16	G200
18	G200 Contemporary
20	Gas Ironheart
22	Dimensions
23	Frequently Asked Questions





ESSE

GREAT BRITISH GAS STOVES

ESSE gas stoves share the same beautiful proportions as our much-loved multi-fuel stoves.

These models offer the same brightness and welcoming warmth, without the work. Come home after a busy day, drop into your favourite chair and immediately enjoy a warming fire.

Each ESSE gas model comes with a manual pulse spark ignition and also has the option of a remote control, allowing you to turn your stove 'on' and 'off' as well as 'up' and 'down' from the comfort of your couch.

There's no need for a 'standby' mode, thereby conserving even more energy.

Like all ESSE stoves, our gas collection offers great fuel economy. Each model incorporates a combustion monitoring system and our flueless models utilise catalytic technology.

One of the major advantages of an ESSE gas stove is its unrivalled responsiveness: you'll feel the benefits immediately when turning the heat up or down and you have complete temperature control from the outset.

When it comes to aesthetics, the authentic log effect we have designed is so true-to-life, you'd have to look closely to distinguish it from real wood fuel. Each ESSE gas stove has multiple gas jets producing a realistic flame.

You can specify your ESSE as natural gas or LPG-powered and you can even choose a flueless model, allowing you to position your stove with more freedom where it looks and feels best, with 100% of the heat coming into the room.

This brochure is designed to give you an overview of the ESSE Gas Stove Collection. Your local, authorised ESSE retailer will be able to demonstrate the stoves in action and give you more advice and additional information to help find the right model for you. Visit esse.com to find your local dealer and to see videos of our products in use.



1854's ESSE 'Fame' 2014 ESSE 'G500 Vista'

160 years of product evolution

ESSE GAS 500 VISTA

A quintessential ESSE stove, the Gas 500 Vista is a bonny addition to the ESSE gas stove collection.

The cast iron detailing beautifully reflects a multi fuel stove and a delightful full flame sparkles over natural looking logs, so realistic you have to glance twice.

This petite stove is available with manual control or a simple remote control, in either natural gas or LPG and top or rear flue installation capabilities.



Available as remote or manual control models



Scan to see the Gas 500 Vista live on

ESSE TV

or visit esse.com

ESSE G500 VISTA SPECIFICATIONS

EFFICIENCY	72.2%
CONTROL	Remote or Manual with pulse spark ignition
HEAT OUTPUT	1.5 - 4kW
FLUE TYPE	Class 1 or Class 2
AUTO SAFETY SHUT OFF	Yes
AIR VENT REQUIRED	No



ESSE GAS 500

The Gas 500 is a classically-styled gas stove that offers the same good looks and reassuring 'solidity' found in all ESSE stoves.

Constructed completely in cast iron, the G500 offers authentic style, with the benefit of modern gas control.

This stove looks beautiful and has also been designed to perform beautifully. It can be installed with either top or rear flue.

Powerful enough to be your primary heat source, the G500 is perfectly proportioned to suit most living rooms.

The G500 features a true-to-life log effect and a flame pattern that looks like a wood fire. You can have the 'welcome home' warmth and light of a traditional fire, with the simple turn of a dial or touch of a button.

Like all ESSE stoves, the G500 has been designed to offer an extraordinary level of energy efficiency.



*Also available as a flueless model -
see page 12 for details*

ESSE G500 SPECIFICATIONS

EFFICIENCY	72.2%
CONTROL	Remote or Manual with pulse spark ignition
HEAT OUTPUT	1.5 - 3.5kw
FLUE TYPE	Class 1 or Class 2
AUTO SAFETY SHUT OFF	Yes
AIR VENT REQUIRED	No



ESSE GAS 525

The elegant Gas 525 offers sophisticated style combined with impressive levels of performance.

This stove can be used as the primary heating source for your living room, or used alongside your central heating to offer additional warmth and a bright and welcoming focal point.

The G525 can be 'personalised' in a number of ways to make it perfectly suited to you and your home: choose a top or rear flue, and black or stainless steel pillars.

The all-black version offers understated style that would be at home in any environment while the black and stainless-steel model is an eye-catching 'statement' stove.

The G525 features a realistic flame pattern, giving this model the look and feel of a wood burning stove. The detailed ceramic log effect glowing in the heat makes you feel warm just by looking at it.



Also available as a flueless model - see page 14 for details



Also available with Black pillars

ESSE G525 SPECIFICATIONS

EFFICIENCY	72.2%
CONTROL	Remote or Manual with pulse spark ignition
HEAT OUTPUT	1.5 - 3.5kw
FLUE TYPE	Class 1 or Class 2
AUTO SAFETY SHUT OFF	Yes
AIR VENT REQUIRED	No





ESSE Flueless GAS 500

ESSE gas stoves without a flue set themselves apart in a number of ways.

As no flue or chimney is required, installation costs are inevitably lower than those associated with a flued stove. All the heat comes into the room, rather than being lost up a flue - so you also benefit from even greater energy efficiency.

This charming stove has the same beautiful proportions as the (flued) G500 and offers you more freedom to site your stove, without being restricted by the position of a flue or chimney.

You can have the timeless look and feel of a traditional ESSE stove, like the wood-burning ESSE 500, combined with the modern control and immediate responsiveness of gas.

The FG500 works beautifully in partnership with your central heating. While your radiators take the chill out of the air, your flueless gas stove offers a glowing focal point to cosy up in front of.

Thanks to the innovative control of the FG500, you can set a desired temperature and the fire will modulate to reach and then maintain this temperature. Alternatively, you can choose to control it manually.



Available as remote or manual control models

ESSE FG500 SPECIFICATIONS

CONTROL	Remote or Manual with thermostatic temperature control
HEAT OUTPUT	1.6 - 3.3kW
AUTO SAFETY SHUT OFF	Yes
AIR VENT REQUIRED	Yes





ESSE Flueless GAS 525

As no flue or chimney is required for the contemporary FG525, installation costs are inevitably lower than those associated with a flued stove. All the heat comes into the room, rather than being lost up a flue - so you also benefit from even greater energy efficiency.

This stylish stove has the same modern proportions as the (flued) G525 and offers you more freedom to site your stove, without being restricted by the position of a flue or chimney.

With a realistic flame pattern, you can enjoy the look and feel of a wood-burning stove, combined with the immediate responsiveness and simple control of gas.

The FG525 works beautifully in partnership with your central heating. While your radiators take the chill out of the air, your flueless gas stove offers a focal point to cosy up in front of.

Thanks to the innovative control of the FG525, you can set a desired temperature and the fire will modulate to reach and then maintain this temperature. Alternatively, you can choose to control it manually.

The FG525 is available with contrasting stainless steel pillars or matching black.



Also available as a flued model

FG525 SPECIFICATIONS

CONTROL	Remote or Manual with thermostatic temperature control
HEAT OUTPUT	1.6 - 3.3kw
AUTO SAFETY SHUT OFF	Yes
AIR VENT REQUIRED	Yes





ESSE GAS 200

The ESSE Gas 200 mirrors the style of our popular wood-burning ESSE 200. With its impressive heat output, glowing flame and realistic ceramic log effect, the G200 offers the look and feel of a woodburner combined with the immediate responsiveness and convenient control of gas.

This model features a wide, clear glass window and has the heritage ESSE branding subtly cast into the door.

With a powerful 4.9kW heat output, the G200 can be used as a primary heating source. Available with a remote control, the G200 gives you the option to come home on a cold winter's day, relax and enjoy a fire with just the touch of a button.



Available as remote or manual control models

ESSE G200 SPECIFICATIONS

EFFICIENCY	78.3%
CONTROL	Remote or Manual with pulse spark ignition
HEAT OUTPUT	1.8 - 4.9kw
FLUE TYPE	Class 1 or Class 2
AUTO SAFETY SHUT OFF	Yes
AIR VENT REQUIRED	No





ESSE GAS 200C

The G200C is the contemporary version of the G200 stove.

It offers the same heat performance, with an output of up to 4.9kW, and equally impressive levels of energy efficiency.

This model is a striking shaped stove that would bring a touch of sophisticated style to any home.

Like all ESSE stoves, the G200C is hand-built in Britain and features a large, clear glass door to appreciate the view of the flames.

This stunning stove can be specified with sleek and striking stainless steel pillars, or an all-black finish for classic, understated style. Simply choose what works best for you and your home.

Whichever style you choose, you'll enjoy a realistic log effect and flame pattern that gives the look and feel of a contemporary woodburner.



All-Black model

ESSE G200C SPECIFICATIONS

EFFICIENCY	78.3%
CONTROL	Remote or Manual with pulse spark ignition
HEAT OUTPUT	1.8 - 4.9kw
FLUE TYPE	Class 1 or Class 2
AUTO SAFETY SHUT OFF	Yes
AIR VENT REQUIRED	No





GAS IRONHEART

Whether you consider it a stove that cooks to perfection, or a range cooker that heats your room - the Gas Ironheart performs flawlessly.

The Gas Ironheart carries all the welcoming warmth, rustic style and beautifully-balanced proportions of the wood-burning Ironheart, combined with the added control, convenience and 'immediacy' of gas.

The controls for this model are neatly concealed behind the lower, left door.

The Ironheart's beautiful flame pattern can be enjoyed through the stove-style, glass door. It is supplied with a heat screen to cover the firebox for comfort while cooking.

An impressive 80% efficiency is achieved with this gas cookstove and you can rely on fast heat up times.

The Ironheart is be undeniably beautiful, it has been designed for *performance* with space for a roast in the 47.8ltr oven and space for pans on the distinctive cast iron hotplate.



Scan to see the Gas Ironheart live on

ESSE TV

or visit esse.com

GAS IRONHEART SPECIFICATIONS

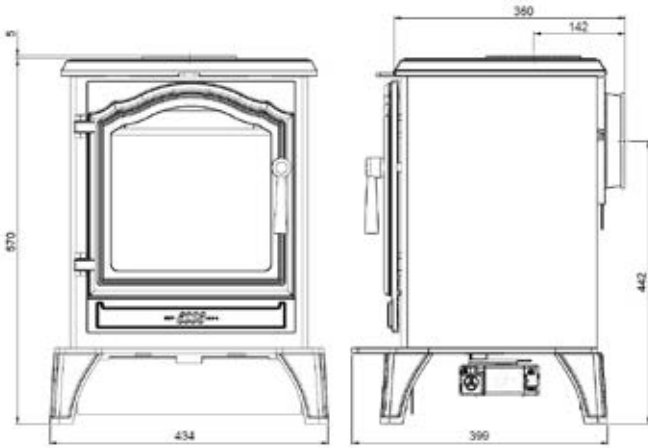
OVEN CAPACITY	47.8 LITRES
OVEN DIMENSIONS	WIDTH 320mm, HEIGHT 340mm, DEPTH 440mm
HOTPLATE	UP TO 6 PANS
FLUE PIPE DIAMETER	4" (100mm)
FEATURES	
LOG EFFECT	
CLEARANCES	
NON-COMBUSTIBLE MATERIALS FROM SIDE AND BACK	0mm
COMBUSTIBLE MATERIALS FROM SIDE AND BACK	7mm
MAXIMUM HEAT OUTPUT	5.88kW
EFFICIENCY	80%



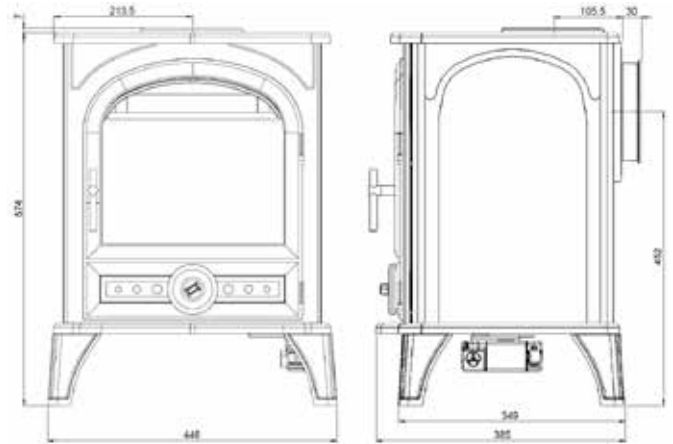
DIMENSIONS

Please note: Measurements shown are in millimetres

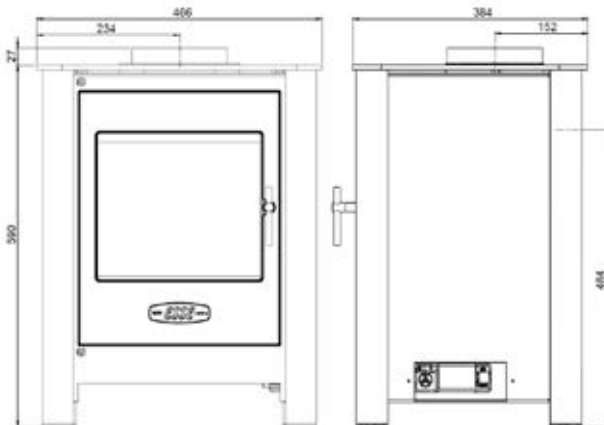
G500 Vista Dimensions



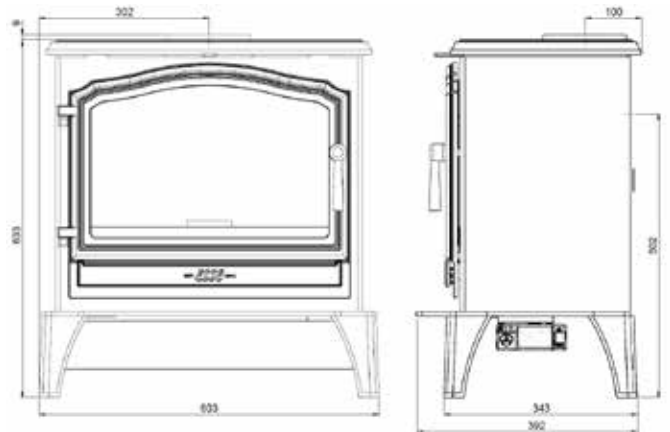
G500 / FG500 Dimensions



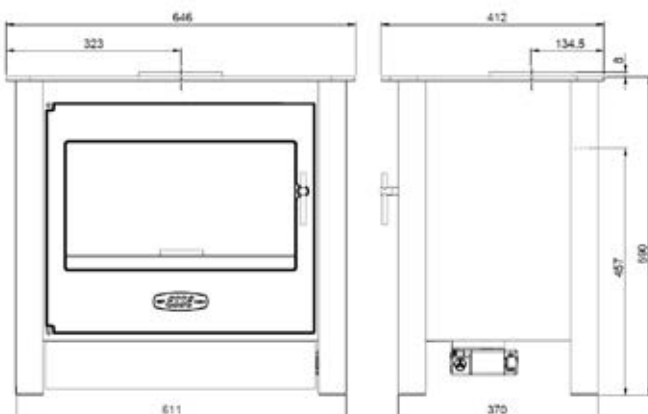
G525 / FG525 Dimensions



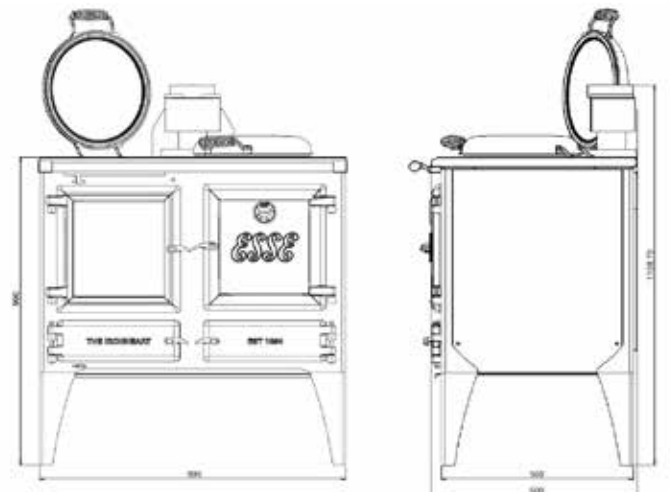
G200 Dimensions



G200C Dimensions



Ironheart Dimensions



Frequently Asked Questions

Within the ESSE gas stove collection, we're confident that there is a model to suit everyone. We've included some further information below to help you decide which stove is right for you and your home.

You'll also find a wealth of information online at www.esse.com.

Can I have a gas stove if I don't have mains gas?

Yes. All ESSE gas stoves are available to run on LPG in place of mains gas.

Can someone tell me if my chimney is safe to use?

Your local Gas Safe Registered installer will be able to advise you. If there is no working chimney where you would like to site your stove, consider one of ESSE's flueless gas models which is not restricted by flue or chimney location.

What does it mean when people talk about 'primary' or 'secondary' heating?

'Primary heating' means that this stove could be used as your main heat source, as opposed to central heating etc. ESSE gas stoves with a flue can be used as primary or secondary heating options.

'Secondary heating' means that your stove would be used for additional heating alongside your central heating system. Our flueless gas stoves are ideal as secondary heating appliances; they offer a bright and warming focal point for cosy nights in.

What safety features set ESSE gas stoves apart?

Your safety is our priority. Some models have spillage monitoring systems and others have flame failure devices or oxygen depletion systems. Our stoves have also been designed to meet all emission standards. Every single one goes through rigorous safety testing for your complete peace of mind.

All ESSE gas appliances are CE marked.

Can I install my own stove?

All gas appliances must be installed and serviced annually by a Gas Safe Engineer and installations should be completed in line with ESSE fitting instructions.

Not suitable for installation in bedrooms, basements, bathrooms or under televisions.

Do I need additional room ventilation?

You will not need additional ventilation with flued appliances (including the Gas Ironheart).

The minimum room size is 40m³ for 500 Flueless Gas and 525 Flueless Gas models. All flueless gas appliances must be in a room with an openable window and built-in ventilation of at least 100cm².

What space do I need for my ESSE?

In addition to the stove, you will need to add a clearance space around the appliance.

Clearances to combustible and non-combustible material vary across the range of ESSE gas stoves. Please check the relevant gas stove installation manual for model-specific installation details.

These can be found at esse.com.

Your local ESSE Centre can guide you through our range to ensure you find the perfect ESSE for your home.



CONDITIONS OF GUARANTEE

Your ESSE stove is guaranteed against defects arising from faulty manufacture for five years subject to the following express conditions. Failure to comply with these conditions will invalidate the guarantee.

- Your ESSE dealer or a suitably qualified engineer must install the stove.
- All gas appliances must be installed and serviced annually by a Gas Safe Engineer and installations should be completed in line with ESSE fitting instructions.
- Upon installation the receipt must be kept as proof of purchase.
- The guarantee is five years from date of purchase.
- The guarantee does not cover parts deemed to be replaceable in the normal usage of the stove. These parts are: glass panels, rope seal, glass seals, pilot assembly, gas valve/burner bricks.

ESSE

160 YEARS
1854-2014

ESSE Engineering Limited, Long Ing,
Barnoldswick, Lancashire BB18 6BJ

01282 813235

enquiries@esse.com | www.esse.com

First published 1854. This edition 2014. Every ESSE stove is made in the United Kingdom.

"ESSE" is a trade mark of ESSE Engineering Limited © ESSE Engineering Limited 2014. All rights reserved. No part of this publication may be reproduced in any form or by any means without the prior written permission of ESSE Engineering Limited. We are constantly developing and improving our products. We reserve the right to alter specifications without prior notice.

